

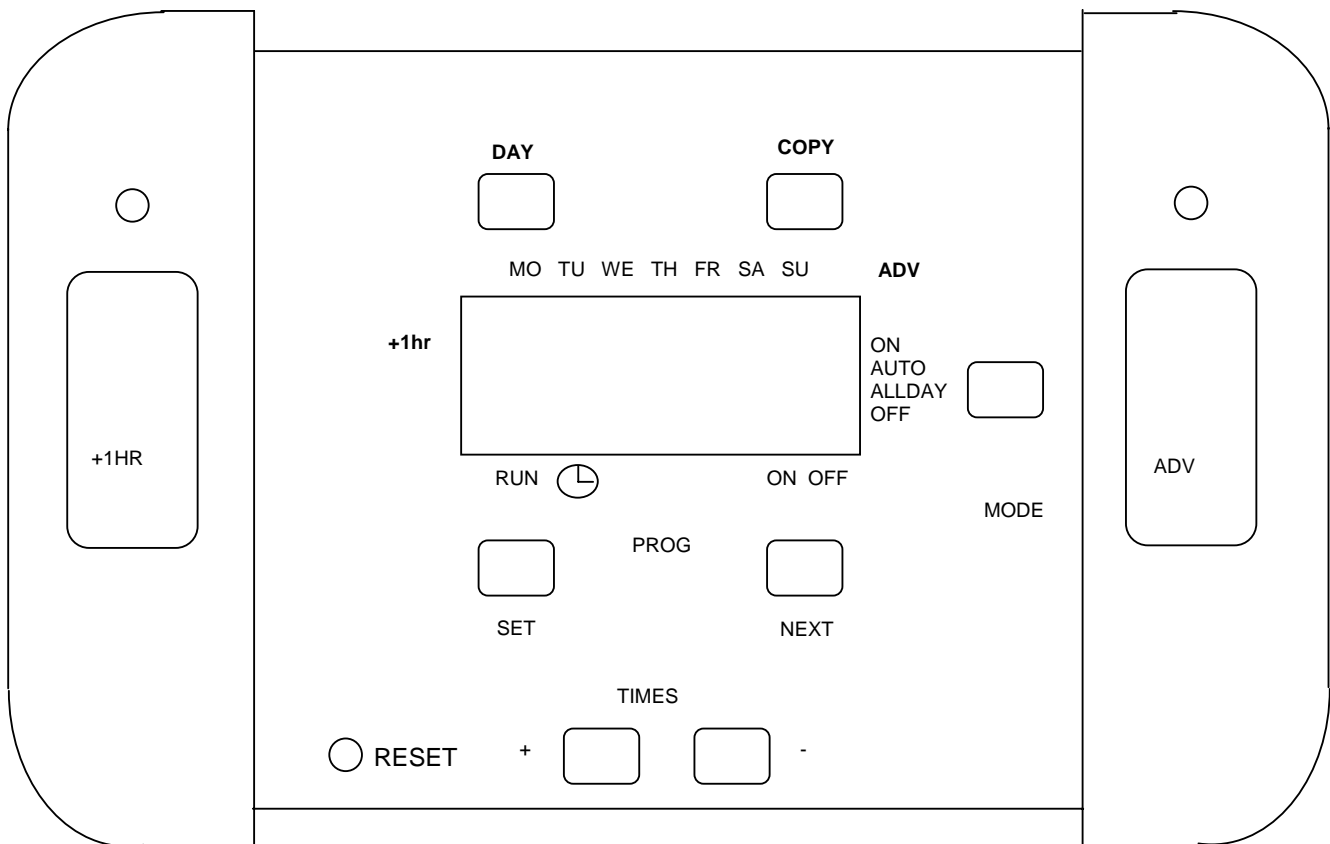
Timeswitch allow you to set 'On' and 'Off' time periods. The timeswitch will allow you to set the 'On' and 'Off' time periods for either Hot water or Central heating to suit your own lifestyle. On some timeswitches you must also set whether you want the heating or hot water to run continuously, run under the chosen 'On' and 'Off' heating periods, or be permanently off.

The time on the timeswitch must be correct. Some types have to be adjusted in spring and autumn at the changes between Greenwich Mean Time and British Summer Time.

You may be able to temporarily adjust the heating programme, for example, 'Override', 'Advance' or 'Boost'. These are explained in the manufacturer's instructions.

The heating will not work if the room thermostat has switched the heating off. And, if you have a hot-water cylinder, the water heating will not work if the cylinder thermostat detects that the hot water has reached the correct temperature.

# **SUNVIC** SELECT 107XL comfort in control USER INSTRUCTIONS



## INTRODUCTION

The SELECT electronic timeswitch can automatically switch ON and OFF, up to 3 times a day, at whatever times you choose.

During installation, the installer selects 24 hour, or 5 day/2 day, or 7 day programming and 2 or 3 on/off periods per day, via a 4 position DIP switch on the back of the unit (see installation instructions).

**IMPORTANT:** These settings should only be changed by a qualified person. Contact your installer.

The 24 hour programmer option runs the same programme every day.

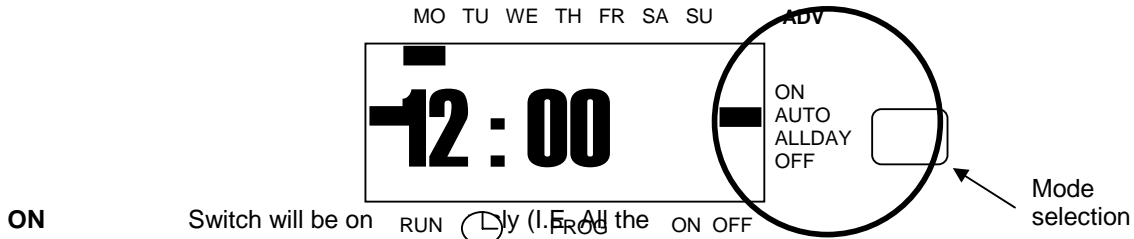
The 5 day/2 day programmer options allows different ON/OFF times at weekends.

The 7 day programmer option allows different ON/OFF times for each day of the week.

The unit is designed to eliminate the possibility of accidental changes to your programme. Buttons normally visible, only affect your set programme temporarily. All buttons which can permanently change your programme are located behind the flip-down fascia.

### SELECTING OPERATING MODE

The Heating and Hot water mode select buttons are used to set the operating mode for CENTRAL HEATING and HOT WATER respectively. Each has 4 modes as described:-



- ON** Switch will be on RUN (I.E. All the ON OFF
- AUTO** Switch will be switched On or Off as programmed
- ALLDAY** Switch will be switched On only once each day. It will switch ON at the first ON time and OFF at the last OFF time.
- OFF** Switch will be continuously OFF.

### SETTING TIME AND DAY

Press the **SET** button once.  
 The display will flash above the clock.  
 Press the **+/-** buttons to adjust the time.  
 Hold down button to change time quicker.  
 Press **DAY** button to move indicator to Current day.  
 Press SET button repeatedly to move Indicator to **RUN** position.  
 NOTE: The unit will automatically return To run mode if a period of 5 minutes passes Without any buttons being pressed.



### BST/GMT TIME CHANGES

To move the time forward or back 1 hour, press and hold for 3 secs, the TIME +/- button (as appropriate), while the unit is in run mode.

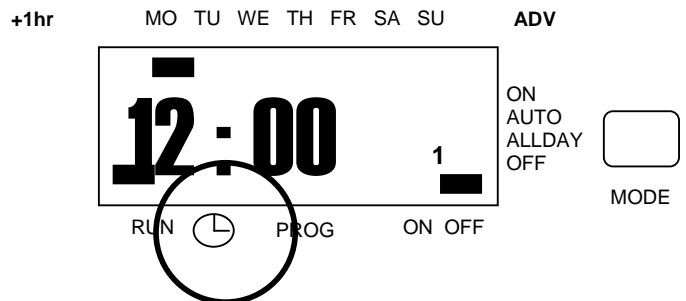
### CHANGING PROGRAMME TIMES

Press **SET** button repeatedly until the display indicator is flashing above **PROG**

An indicator will appear above **ON** and the number 1 will show above it. This indicates the time shown on the display is the 1<sup>st</sup> **ON** time. Change this to the required time by pressing the **+/-** buttons.  
 Press **NEXT** button to move the indicator to above **OFF**. Time now shown is the 1<sup>st</sup> **OFF** time. Change as before.

Use the **NEXT** and **+/-** buttons in this way to programme the second time period.

If the unit is set for 3 ON/OFF periods, the number 3 will appear. This is set in exactly the same way as the previous second time period.



If unit is installed as a 7 day programmer, the initial programme displayed will be for Monday. You can go to any day of the week by pressing **DAY** button repeatedly. The ON/OFF times can be changed for each day as above. If you press **COPY** button, the current programme will be copied into the next day.

If unit is installed as a 5day/2day programmer, the initial programme displayed will be for Monday to Friday. Pressing **DAY** button will take you to the programme for Saturday and Sunday. The ON/OFF times can be changed for each day group as above. If you press **COPY** button, the current programme will be copied into the next day group.

If the unit is installed as a 24hr. Programmer, the built in programme will be the same for each day (as for Monday to Friday overleaf). The **COPY** function is not required if installed as a 24 hr. programmer.

To return to **RUN** mode, press **SET** button until the display indicator returns to above the **RUN** position.

#### Note

It is not possible to copy Sunday to Monday.

For convenience to allow for programmes to go past midnight, the programme day is from 03:00am to 02:50am the next day.

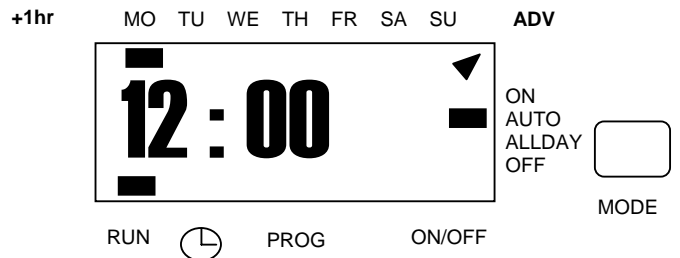
If your programme gets scrambled, or you want to start again, press the reset button using a non-metallic tool to re-load the default programmes, then press any button to clear the DIP switch configuration code. The unit should revert to time setting mode ready for programming.

#### USING ADVANCE

This function is only available when programme is in **AUTO** or **ALLDAY** operating modes.

Press the **ADV** button. This will turn The switch **ON** if it was in an **OFF** period And vice versa. It will stay in this state until either **ADV** is pressed again, or until a programmed **ON/OFF** commences.

An indicator will appear on display top right hand Corner, pointing at **ADV**. This is normally covered By the flip down front fascia panel.



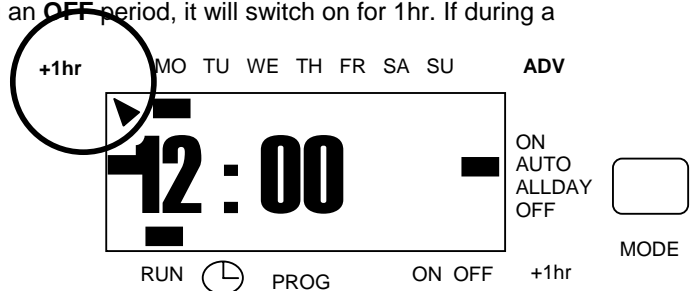
#### USING+1HR.

##### For +1hr

Press the **+1hr** button. If the operating mode is **OFF** then it will switch on for 1 hr. If the operating mode is **AUTO** or **ALLDAY**, then during an **OFF** period, it will switch on for 1hr. If during a **ON** period, then it will temporarily extend that programme by 1hr.

An indicator will appear on display top left corner pointing at **+1hr**. This is normally covered by the flip down front fascia panel.

Pressing **+1hr** again cancels this function. When in the **ON** mode the **+1hr** button has no effect.



#### POWER INTERRUPTION

In the event of mains supply failure, the back up battery ensures programmer continues to keep time and retain your stored programme. The screen will go **BLANK**, but will return when power is restored. If left continuously without power for more than 30 days, it will stop keeping time. When power is restored, it will be necessary to reset time and day.

**BATTERY REPLACEMENT**

Replace with a 3v Lithium button cell type Cr2032. Fit into the back of the unit, observing correct polarity as marked.

**RESET BUTTON**

Press the reset button with a non-metallic pointed tool to restore the built in programme. The display will then show the current state of the configuration switches.

Configuration	Display
2 on/2off/pumped	2 PU
3 on/3off/pumped	3 PU
2 on/2off/gravity	2 GA
3 on/3off/gravity	3 GA
	Mon to Sun day indicators
7 day	Mon to Sun successively on
5/2 day	Mon to Fri on alternating with Sat, Sun on
24Hr	Mon to Sun all on together

E.G. 24hr. 2 on/2off pumped, would look like this:-

+1HR    MO TU WE TH FR SA SU    ADV

■■■■■■■■■■

2 PU

ON  
AUTO  
ALLDAY  
OFF

MODE

Press any button (RUN, PROG, ON, OFF) to time setting. it is then ready for programming. See **SETTING TIME OF DAY** section.

**BUILT IN PROGRAMME**

For convenience, the programmer has a built in programme which for many people is perfectly satisfactory, but it can be changed quite easily (see section **CHANGING PROGRAMMING TIMES**)

If the unit is installed as a 24 hour programmer, the built in programme will be the same for each day (as Mon. to Fri. above).

Factory programme settings		
	Mon-Fri	Sat&Sun
1 <sup>st</sup> ON	6:00am	7:00am
1 <sup>st</sup> OFF	8:30am	9:00am
2 <sup>nd</sup> ON	12:00 noon	12:00 noon
2 <sup>nd</sup> OFF	12:00 noon	12:00 noon
3 <sup>rd</sup> ON	4:30pm	11:00pm
3 <sup>rd</sup> OFF	10:30pm	11:00pm

This product complies with the essential requirements of the following EC directives:  
 Electro-magnetic Compatability directive  
 EMC 89/336/EEC (as amended by  
 91/263/ EEC and 92/31/EEC) CE

Low voltage directive LVD 73/23/EEC;93/68/EEC



Installation Instructions  
 SELECT107XL  
 Programmer

Select 107xl Technical Data

Power supply	230v AC 50Hz.
Ambient temperature	Operating 0°C to 35°C
Total Input	6A
Switch Rating	230vAC 6(2)A
Battery type	3v Lithium button Cr2032
Battery back up	30 days(Time & programme)
Wiring	For fixed wiring only
Maintenance	No user maintenance reqd.
Disconnection class	1B

This unit must be installed by a competent person in accordance with the latest appropriate wiring regulations.

**Pre Installation set-up**

Before installing, set the bank of 4 DIP switches on the back, to configure the unit according to the chart below.



DIP switches shown in factory default position

- 24Hr.** - Runs same programme every day
- 5/2 Day** - Allows different ON/OFF times at weekend
- 7 Day** - Allows different on/off times every day

Locate the back up battery, remove packing and fit to the back of the unit, observing correct polarity as marked.

This will ensure times and programme settings are maintained during temporary power interruptions.

When unit is first switched on, or when the reset button is pressed, the status of the DIP switches is displayed.

**INSTALLATION**

Be sure to switch off the mains supply before starting. Please read all installation instructions before proceeding.

Ensure that the fixed wiring connections to the mains supply, is via a fuse rated at not more

6 amps, and a class 'A' switch, having a contact separation of a minimum of 3mm in all poles.

**DIRECT UPGRADE FOR EXISTING  
 TIMESWITCHES**

1. Switch off mains. Loosen 2 securing screws on old programmer and unplug it.
2. Check existing wall-plate has been correctly fitted. (See section, Fitting wall plate)
3. Plug SELECT programmer into wall-plate and re-tighten screws. Switch on at mains.
4. Press **RESET** button located behind the flip-down fascia panel. The status of the DIP switch settings will be displayed. Pressing any button will cause the display to go to time setting mode.
5. Set timing and programme as detailed in user guide

**FITTING WALL PLATE**

1. Position the wall-plate (terminals along the top edge) with 60mm(Min) clearance to its right, 25mm(Min) above, 90mm(Min) below. Ensure that the supporting surface will fully cover the back of the programmer.
2. Ideal location would be 1.4m above floor level, easily accessible, reasonably lit and free from condensation or temperature extremes.
3. Fix the wall-plate to a flush mounting single conduit box type UA1(BS4662) using M3.5 x 14 bolts.
4. Ensure that the wiring to the wall-plate terminals leads directly away from the terminals and is completely enclosed within the wall-plate aperture. Wire ends must be stripped and screwed to the terminals, so that minimal bare wire is showing.
5. If the unit is fitted to a metal surface, IT IS ESSENTIAL that the metal be earthed. Do not use a surface mounting box.

6.Ensure the mains supply is switched off, then make wiring connections. No EARTH connection is required, but ensure continuity of EARTH throughout the system.

7.After wiring, plug unit into wall plate and tighten the securing screws. Switch on at mains.

8.Press **RESET** button located behind the flip-down fascia panel. The status of the DIP switch settings will be displayed. Pressing any button will cause the display to go to time setting mode.

9.Setting timing and programme as detailed in user guide.

10.NEVER fit or remove the unit to a LIVE wall-plate.

**SUNVIC CONTROLS Ltd.Bellshill Road  
Uddingston  
Glasgow  
G71 6NP**

**Tel 01698 812944  
Fax 01698 813637**

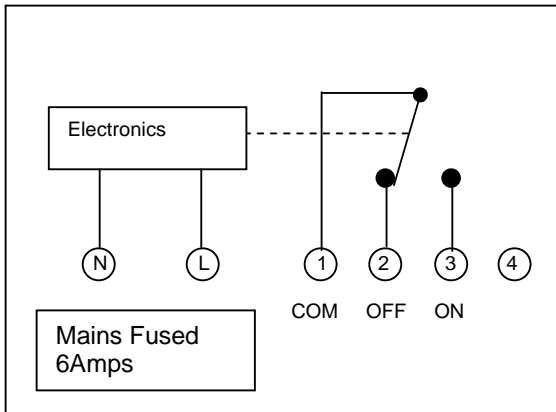
**Tech Helpline 01698 810945  
Tech Help. Fax 01698 307437**

[WWW.sunvic.co.uk](http://WWW.sunvic.co.uk)

In the interests of continuous product improvement, Sunvic Controls reserve the right to alter designs, specifications and materials, without prior notice, and cannot accept liability for error.

Installation leaflet LE/497/0003 ISSUE 01 FEB 2003

#### Programmer Internal Wiring Diagram



This product complies with the essential requirements of the following EC Directives:  
Electro-magnetic compatibility directive  
EMC 89/336/EEC (as amended by 91/263/EEC  
And 92/31/EEC)  
Low Voltage directive  
LVD 73/23/EEC;93/68/EEC